

Trusted 40 Channel 24 Vdc Digital Input FTA

Product Overview

The Trusted® Field Termination Assembly (FTA) - 24 Vdc Digital Input T8800 is designed to act as the main interface between a field device generating a digital signal and the Trusted TMR 24 Vdc Digital Input Module T8403.

Features:

- 40 input channels per FTA.
- Industry standard field device connections (2-wire).
- Standard DIN rail compatibility.
- Simple installation and connection.
- 24 Vdc operation.
- SmartSlot connection for 'one to many' hot replacement of input modules.
- Fused field power supply per channel.
- On-board Light Emitting Diode (LED) indication of field power supply integrity.

Page intentionally left blank

PREFACE

In no event will Rockwell Automation be responsible or liable for indirect or consequential damages resulting from the use or application of this equipment. The examples given in this manual are included solely for illustrative purposes. Because of the many variables and requirements related to any particular installation, Rockwell Automation does not assume responsibility or reliability for actual use based on the examples and diagrams.

No patent liability is assumed by Rockwell Automation, with respect to use of information, circuits, equipment, or software described in this manual.

All trademarks are acknowledged.

DISCLAIMER

It is not intended that the information in this publication covers every possible detail about the construction, operation, or maintenance of a control system installation. You should also refer to your own local (or supplied) system safety manual, installation and operator/maintenance manuals.

REVISION AND UPDATING POLICY

This document is based on information available at the time of its publication. The document contents are subject to change from time to time. The latest versions of the manuals are available at the Rockwell Automation Literature Library under "Product Information" information "Critical Process Control & Safety Systems".

TRUSTED RELEASE

This technical manual applies to **Trusted Release: 3.6.1**.

LATEST PRODUCT INFORMATION

For the latest information about this product review the Product Notifications and Technical Notes issued by technical support. Product Notifications and product support are available at the Rockwell Automation Support Centre at

<http://rockwellautomation.custhelp.com>

At the Search Knowledgebase tab select the option "By Product" then scroll down and select the Trusted product.

Some of the Answer ID's in the Knowledge Base require a TechConnect Support Contract. For more information about TechConnect Support Contract Access Level and Features please click on the following link:

https://rockwellautomation.custhelp.com/app/answers/detail/a_id/50871

This will get you to the login page where you must enter your login details.

IMPORTANT A login is required to access the link. If you do not have an account then you can create one using the "Sign Up" link at the top right of the web page.

DOCUMENTATION FEEDBACK

Your comments help us to write better user documentation. If you discover an error, or have a suggestion on how to make this publication better, send your comment to our technical support group at <http://rockwellautomation.custhelp.com>

SCOPE

This manual specifies the maintenance requirements and describes the procedures to assist troubleshooting and maintenance of a Trusted system.

WHO SHOULD USE THIS MANUAL

This manual is for plant maintenance personnel who are experienced in the operation and maintenance of electronic equipment and are trained to work with safety systems.

SYMBOLS

In this manual we will use these notices to tell you about safety considerations.



SHOCK HAZARD: Identifies an electrical shock hazard. If a warning label is fitted, it can be on or inside the equipment.



WARNING: Identifies information about practices or circumstances that can cause an explosion in a hazardous environment, which can cause injury or death, property damage or economic loss.



ATTENTION: Identifies information about practices or circumstances that can cause injury or death.



CAUTION: Identifies information about practices or circumstances that can cause property damage or economic loss.



BURN HAZARD: Identifies where a surface can reach dangerous temperatures. If a warning label is fitted, it can be on or inside the equipment.



This symbol identifies items which must be thought about and put in place when designing and assembling a Trusted controller for use in a Safety Instrumented Function (SIF). It appears extensively in the Trusted Safety Manual.

IMPORTANT

Identifies information that is critical for successful application and understanding of the product.

NOTE

Provides key information about the product or service.

TIP

Tips give helpful information about using or setting up the equipment.

WARNINGS AND CAUTIONS

**WARNING: EXPLOSION RISK**

Do not connect or disconnect equipment while the circuit is live or unless the area is known to be free of ignitable concentrations or equivalent

**AVERTISSEMENT - RISQUE D'EXPLOSION**

Ne pas connecter ou déconnecter l'équipement alors qu'il est sous tension, sauf si l'environnement est exempt de concentrations inflammables ou équivalente

**MAINTENANCE**

Maintenance must be carried out only by qualified personnel. Failure to follow these instructions may result in personal injury.

**CAUTION: RADIO FREQUENCY INTERFERENCE**

Most electronic equipment is influenced by Radio Frequency Interference. Caution should be exercised with regard to the use of portable communications equipment around such equipment. Signs should be posted in the vicinity of the equipment cautioning against the use of portable communications equipment.

**CAUTION:**

The module PCBs contains static sensitive components. Static handling precautions must be observed. DO NOT touch exposed connector pins or attempt to dismantle a module.

ISSUE RECORD

Issue	Date	Comments
5	Sep 05	Format
6	Jun 16	Rebranded and reformatted with correction to Relative Humidity Range and Operating Temperature statements in the Specification Section, also correction of any typographical errors

Page intentionally left blank

Table of Contents

1.	Description	3
2.	Installation	5
3.	Associated Cable Selection	7
4.	Assembly Pinout Connections	9
4.1.	PWR TB Connections	9
4.2.	TB3 (Auxiliary Input) Connections.....	9
4.3.	TB2 (Field Terminals) Connections.....	9
4.4.	SK1 and SK2	11
5.	Specifications.....	14

Page intentionally left blank

1. Description

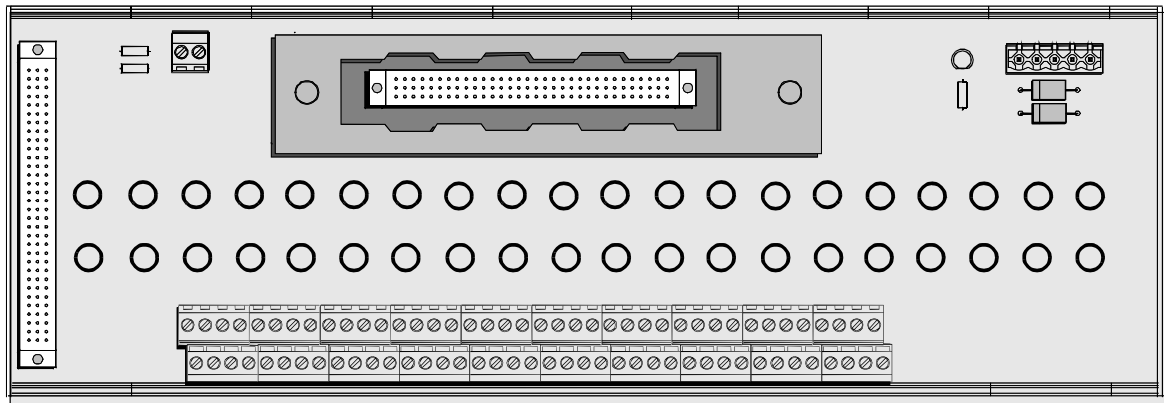


Figure 1 T8800 Layout

The Trusted 40 Channel 24 Vdc Digital Input Field Termination Assembly T8800 provides termination for a maximum of 40 input channels from various types of field devices which generate a digital input. Figure 2 below shows the configuration of a single channel.

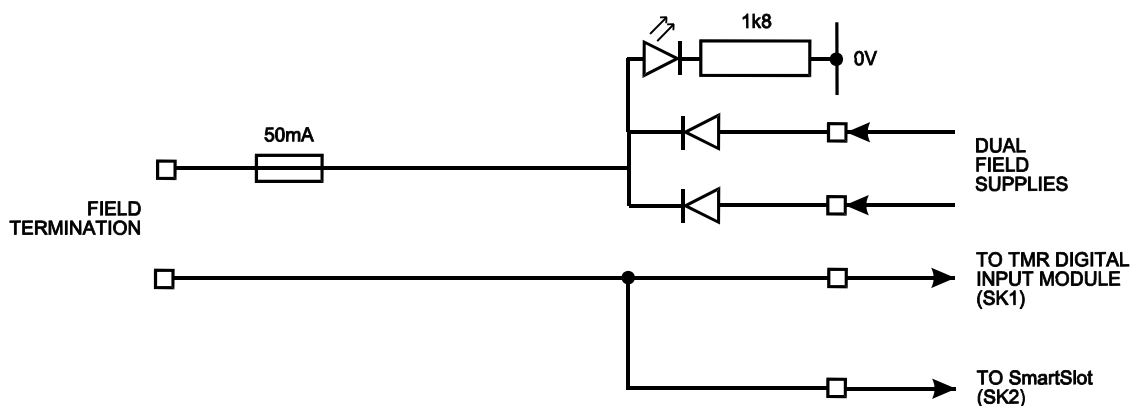


Figure 2 Single Channel Schematic

The supply for the field is derived from dual 24 Vdc feeds which are 'commoned' via diodes on the FTA. Indication of the presence of the power supply is provided by a green LED. The supply is then fed to each channel.

The supply voltage to the field is fed via the 50 mA fuse. This effectively limits the current in the field loop. The incoming signal (digital) from the field device is fed directly to the digital input module. Line monitoring components (if required) provide the necessary thresholds used by the input module to detect the field loop/device status, i.e. open/short circuit, alarm etc.

The cable linking the 40 channels on the input module to the FTA is terminated at the 96-way socket SK1. SmartSlot (Version 1) signals from the module are connected to SK1. The

SmartSlot connector is SK2 and is also a 96-way socket. This connector is not used where SmartSlot Version 2 is employed within the Trusted System. The dual dc field power supplies are connected to the FTA via a 5-way terminal block PWR TB. The input signals from the field (40-off) are connected by 2-wire arrangements terminated on 12-off 3-way terminal blocks and 2-off 2-way.

2. Installation

Trusted 40 Channel 24 Vdc Digital Input FTA T8800 is designed to be mounted on either of the TS32 or TS35 DIN rails in the horizontal or vertical positions as required.

Page intentionally left blank

3. Associated Cable Selection

Refer to the product descriptions detailed below:

PD-TC000	Trusted Power Cables
PD-TC200	Trusted I/O Companion Slot Cables
PD-TC500	Trusted I/O SmartSlot Cables

Page intentionally left blank

4. Assembly Pinout Connections

4.1. PWR TB Connections

Pin	Service
1	24 V-A
2	24 V-B
3	0 V
4	0 V
5	24 V (auxiliary supply for use when required)

Table 1 PWR TB Connections

4.2. TB3 (Auxiliary Input) Connections

Pin	Service
1	Chan 0 (not configured)
2	Chan 41 (not configured)

Table 2 TB3 Auxiliary Input Connections

4.3. TB2 (Field Terminals) Connections

Pin	Service	Pin	Service
1	Chan 1 24 Vdc field supply	2	Chan 1 signal from field
3	Chan 2 24 Vdc field supply	4	Chan 2 signal from field
5	Chan 3 24 Vdc field supply	6	Chan 3 signal from field
7	Chan 4 24 Vdc field supply	8	Chan 4 signal from field
9	Chan 5 24 Vdc field supply	10	Chan 5 signal from field
11	Chan 6 24 Vdc field supply	12	Chan 6 signal from field

Pin	Service	Pin	Service
13	Chan 7 24 Vdc field supply	14	Chan 7 signal from field
15	Chan 8 24 Vdc field supply	16	Chan 8 signal from field
17	Chan 9 24 Vdc field supply	18	Chan 9 signal from field
19	Chan 10 24 Vdc field supply	20	Chan 10 signal from field
21	Chan 11 24 Vdc field supply	22	Chan 11 signal from field
23	Chan 12 24 Vdc field supply	24	Chan 12 signal from field
25	Chan 13 24 Vdc field supply	26	Chan 13 signal from field
27	Chan 14 24 Vdc field supply	28	Chan 14 signal from field
29	Chan 15 24 Vdc field supply	30	Chan 15 signal from field
31	Chan 16 24 Vdc field supply	32	Chan 16 signal from field
33	Chan 17 24 Vdc field supply	34	Chan 17 signal from field
35	Chan 18 24 Vdc field supply	36	Chan 18 signal from field
37	Chan 19 24 Vdc field supply	38	Chan 19 signal from field
39	Chan 20 24 Vdc field supply	40	Chan 20 signal from field
41	Chan 21 24 Vdc field supply	42	Chan 21 signal from field
43	Chan 22 24 Vdc field supply	44	Chan 22 signal from field
45	Chan 23 24 Vdc field supply	46	Chan 23 signal from field
47	Chan 24 24 Vdc field supply	48	Chan 24 signal from field
49	Chan 25 24 Vdc field supply	50	Chan 25 signal from field
51	Chan 26 24 Vdc field supply	52	Chan 26 signal from field
53	Chan 27 24 Vdc field supply	54	Chan 27 signal from field
55	Chan 28 24 Vdc field supply	56	Chan 28 signal from field
57	Chan 29 24 Vdc field supply	58	Chan 29 signal from field
59	Chan 30 24 Vdc field supply	60	Chan 30 signal from field

Pin	Service	Pin	Service
61	Chan 31 24 Vdc field supply	62	Chan 31 signal from field
63	Chan 32 24 Vdc field supply	64	Chan 32 signal from field
65	Chan 33 24 Vdc field supply	66	Chan 33 signal from field
67	Chan 34 24 Vdc field supply	68	Chan 34 signal from field
69	Chan 35 24 Vdc field supply	70	Chan 35 signal from field
71	Chan 36 24 Vdc field supply	72	Chan 36 signal from field
73	Chan 37 24 Vdc field supply	74	Chan 37 signal from field
75	Chan 38 24 Vdc field supply	76	Chan 38 signal from field
77	Chan 39 24 Vdc field supply	78	Chan 39 signal from field
79	Chan 40 2 4Vdc field supply	80	Chan 40 signal from field

Table 3 TB2 (Field Terminal) Connections

4.4. SK1 and SK2

	C	B	A
1	SmartSlot Link C	SmartSlot Link B	SmartSlot Link A
2			
3	Chan 28 (+)	Chan 14 (+)	Chan 0 (+)
4	Chan 28 (+)	Chan 14 (+)	Chan 0 (+)
5	Chan 29 (+)	Chan 15 (+)	Chan 1 (+)
6	Chan 29 (+)	Chan 15 (+)	Chan 1 (+)
7	Chan 30 (+)	Chan 16 (+)	Chan 2 (+)
8	Chan 30(+)	Chan 16 (+)	Chan 2 (+)
9	0 V	0 V	0 V
10	Chan 31 (+)	Chan 17 (+)	Chan 3 (+)
11	Chan 31 (+)	Chan 17 (+)	Chan 3 (+)

	C	B	A
12	Chan 32 (+)	Chan 18 (+)	Chan 4 (+)
13	Chan 32 (+)	Chan 18 (+)	Chan 4 (+)
14	Chan 33 (+)	Chan 19 (+)	Chan 5 (+)
15	Chan 33 (+)	Chan 19 (+)	Chan 5 (+)
16	Chan 34 (+)	Chan 20 (+)	Chan 6 (+)
17	Chan 34 (+)	Chan 20 (+)	Chan 6 (+)
18	Chan 35 (+)	Chan 21 (+)	Chan 7 (+)
19	Chan35 (+)	Chan 21 (+)	Chan 7 (+)
20	0 V	0 V	0 V
21	Chan 36 (+)	Chan 22 (+)	Chan 8 (+)
22	Chan 36 (+)	Chan 22 (+)	Chan 8 (+)
23	Chan 37 (+)	Chan 23 (+)	Chan 9 (+)
24	Chan 37 (+)	Chan 23 (+)	Chan 9 (+)
25	Chan 38 (+)	Chan 24 (+)	Chan 10 (+)
26	Chan 38 (+)	Chan 24 (+)	Chan 10 (+)
27	Chan 39 (+)	Chan 25 (+)	Chan 11 (+)
28	Chan 39 (+)	Chan 25 (+)	Chan 11 (+)
29	Chan 40 (+)	Chan 26 (+)	Chan 12 (+)
30	Chan 40 (+)	Chan 26 (+)	Chan 12 (+)
31	Chan 41 (+)	Chan 27 (+)	Chan 13 (+)
32	Chan 41 (+)	Chan 27 (+)	Chan 13 (+)

Table 4 Connections SK1 and SK2

Page intentionally left blank

5. Specifications

Voltage Range	18 Vdc to 32 Vdc
Fuses	40-off 50 mA
Maximum Current (Field Supply)	10 mA
Power Consumption (Field Supply)	0.25 W
Operating Temperature	0 °C to +60 °C (+32 °F to +140 °F)
Non-operating Temperature	-25 °C to +70 °C (-13 °F to +158 °F)
Relative Humidity range (operating, storage and transport)	10 % – 95 %, non-condensing
Environmental Specifications	Refer to Document 552517
Dimensions	
Height	111 mm (4.4 in)
Width	335 mm (13.2 in)
Depth	51 mm (2 in)
Weight	900 g (2 lb)